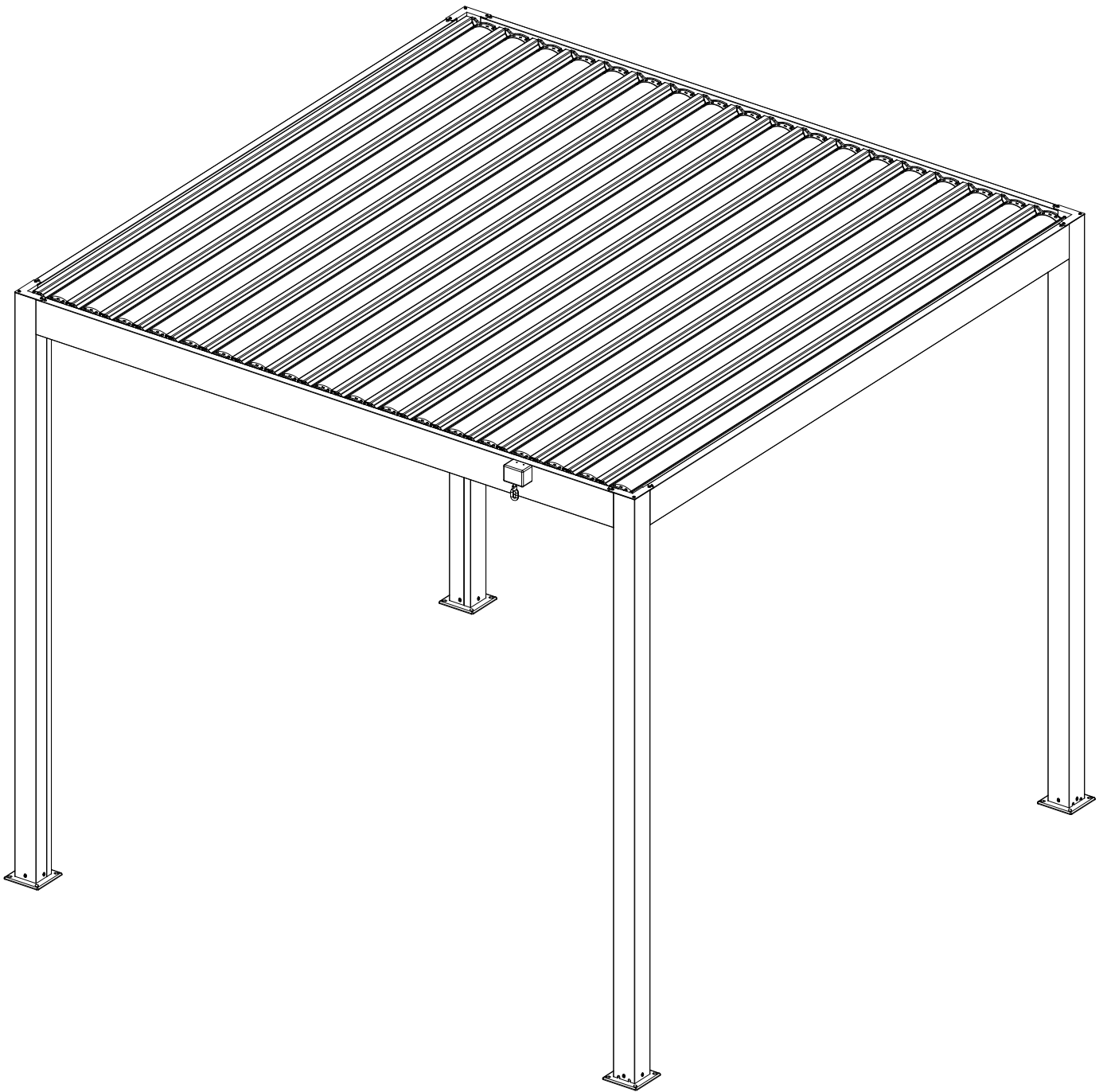


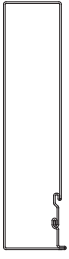
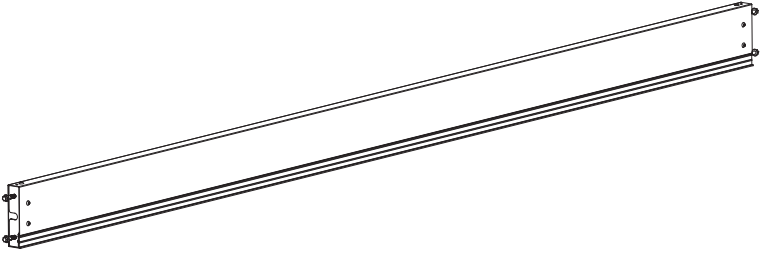
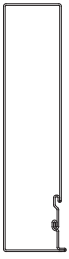
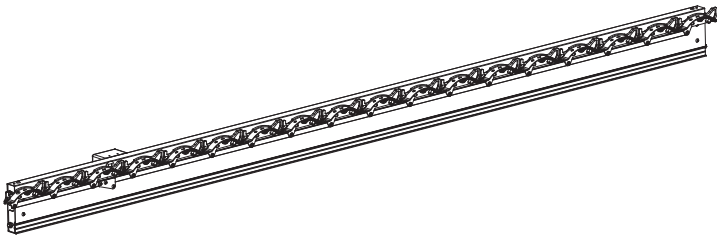
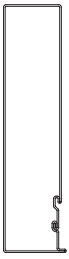
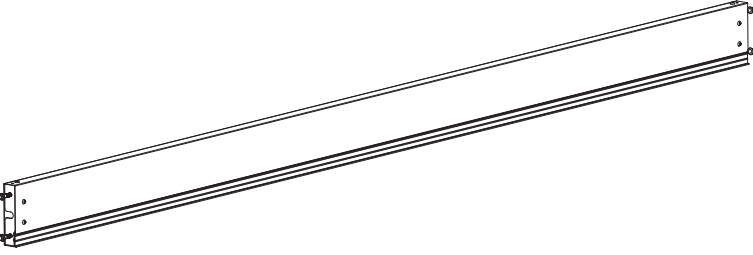
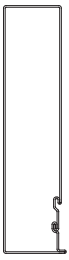
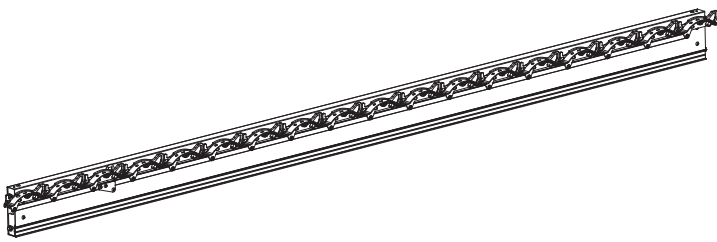
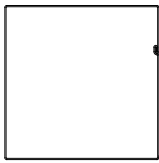
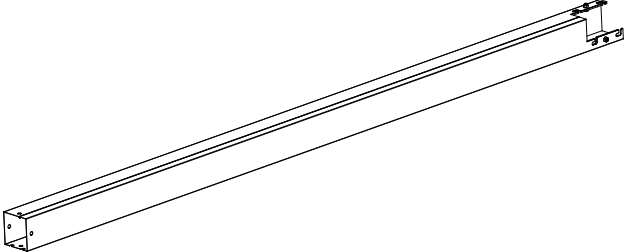
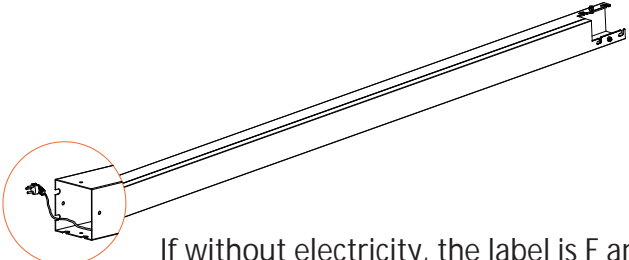
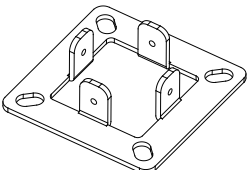
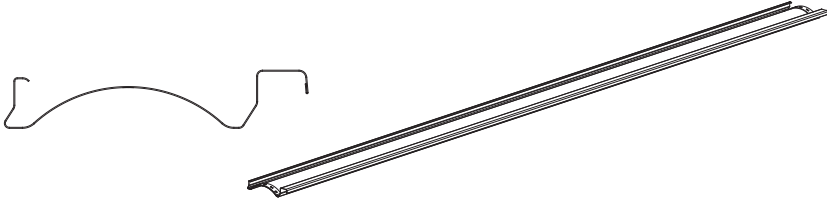
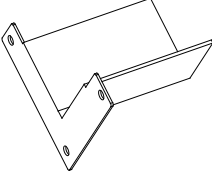
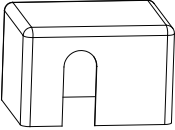

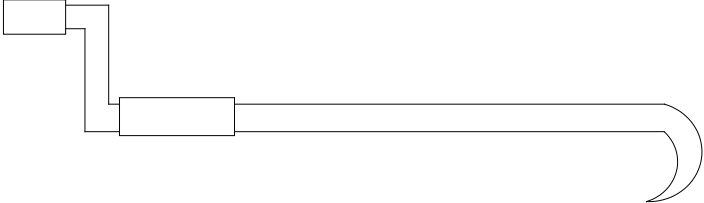
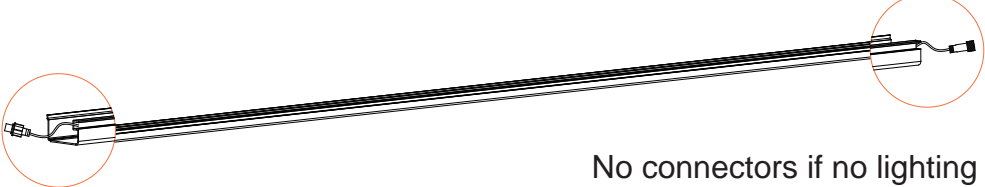
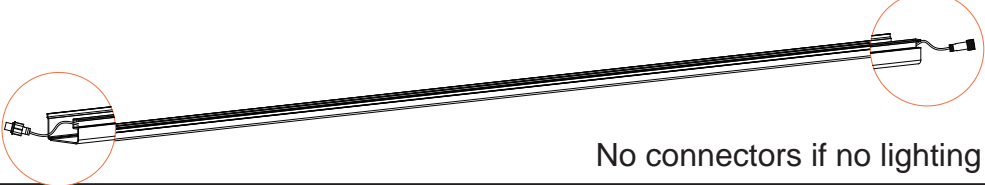
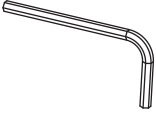

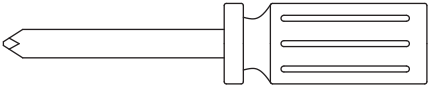


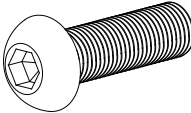
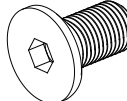
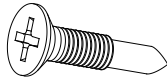
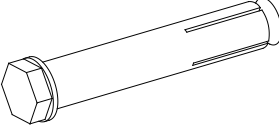
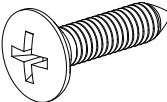
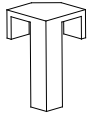
Installation Manual for Pergola 100B-4T



	3
	5H

No.	Pic	Qty
A	 	1
B	 	1
C	 	1
D	 	1
E	 	3
T	 <p data-bbox="635 1818 1311 1854">If without electricity, the label is F and with no plug.</p>	1
P		4

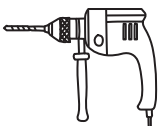
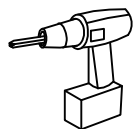
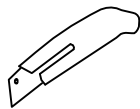
No.	Pic		Qty
I			3*3M 18
			3*4M 25
Q			4
R			1
N			1
O			1
K/L	 <p data-bbox="901 1473 1289 1512">No connectors if no lighting</p>		2
U/V	 <p data-bbox="901 1662 1289 1700">No connectors if no lighting</p>		2
S	 <p data-bbox="1220 1814 1276 1850">4mm</p>		2
	 <p data-bbox="742 1960 821 1995">10-13</p> <p data-bbox="1101 1960 1173 1995">10mm</p>		1
			1

No.	Pic		Qty
AA	 M6X14	3*3M	72+2
		3*4M	100+2
BB	 M6X16		16+1
CC	 ST3. 9*16		2+1
DD	 M10X100		16+1
EE	 M4X13		12+1
KK			4

Warning

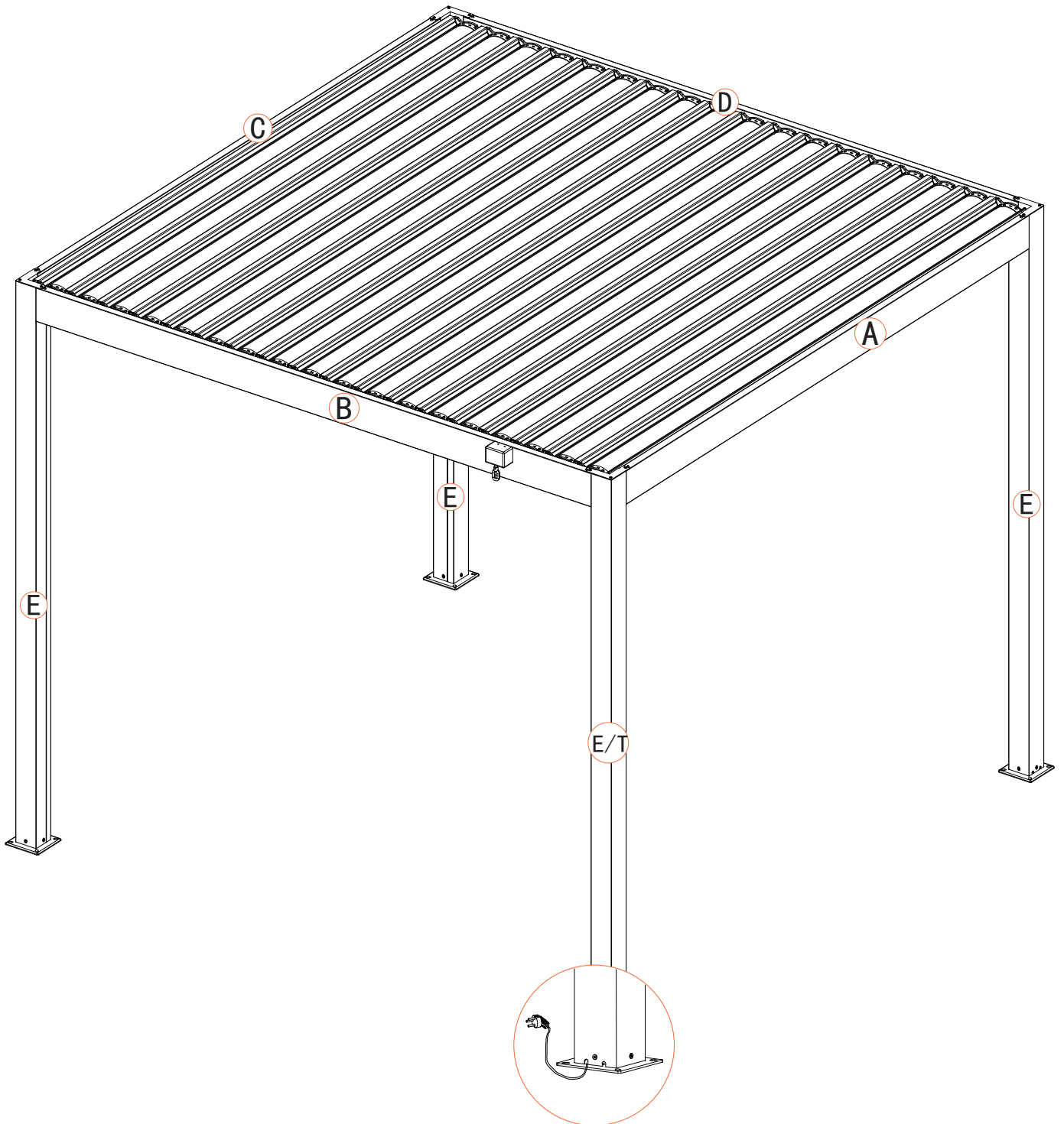
During the snowy season or when it is forecasted to snow, flip the louvers to vertical to avoid damaging the pergola.

Other Tools Required

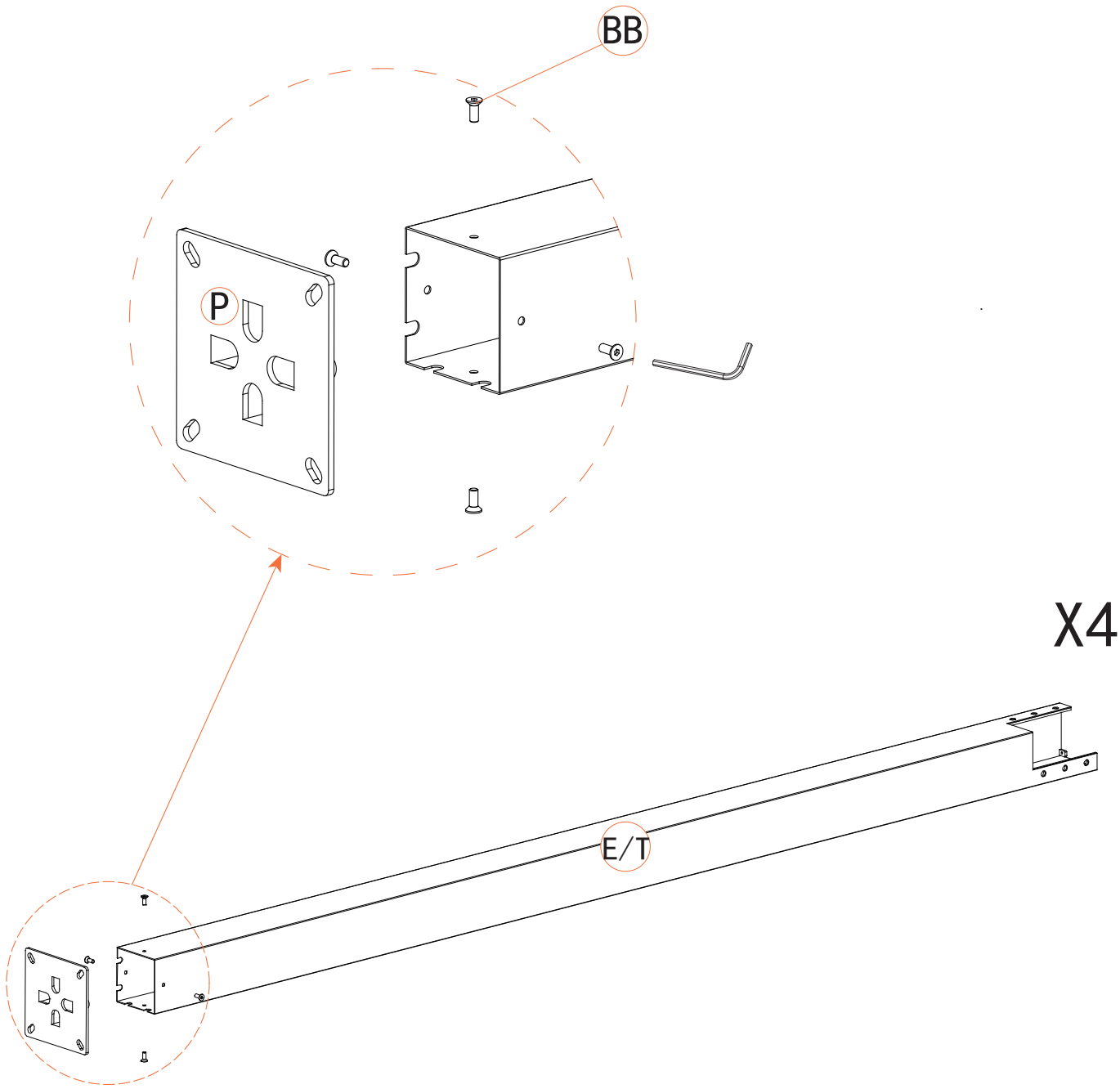


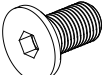
ATTENTION!!!

Before installation, pls carefully check the position of each part shown on this page to avoid mis-installation!

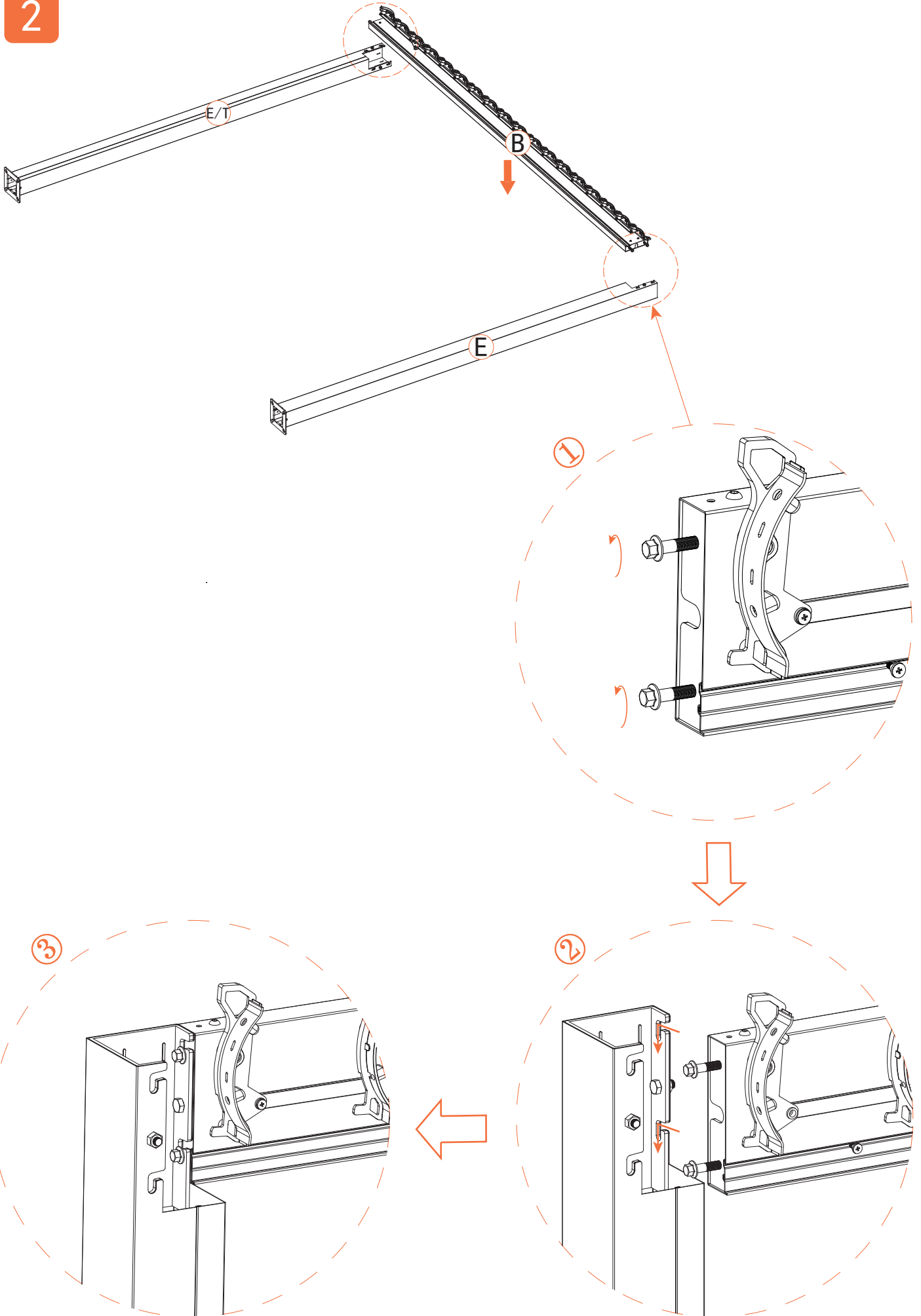


1

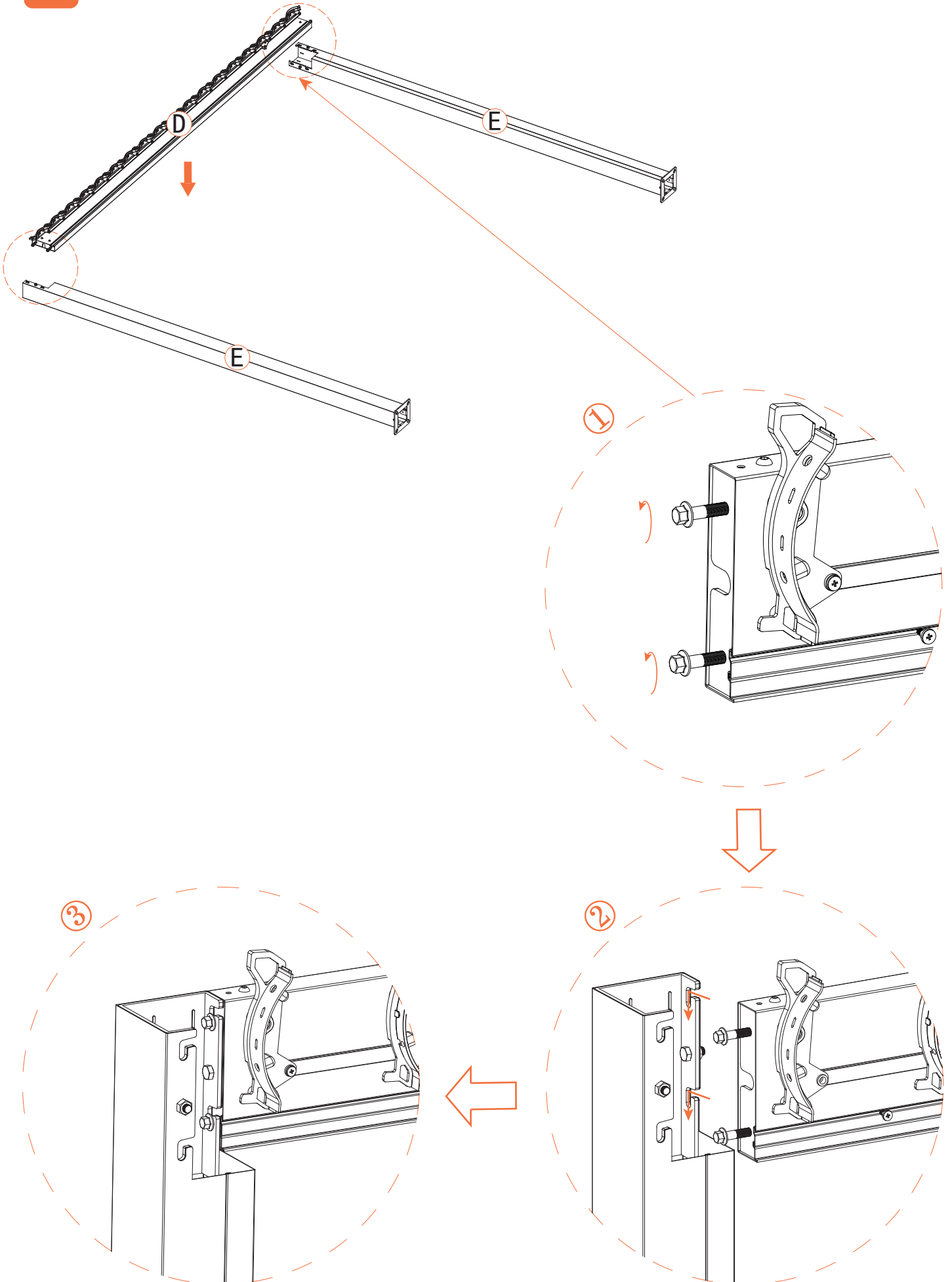


BB		M6X16	16
----	---	-------	----

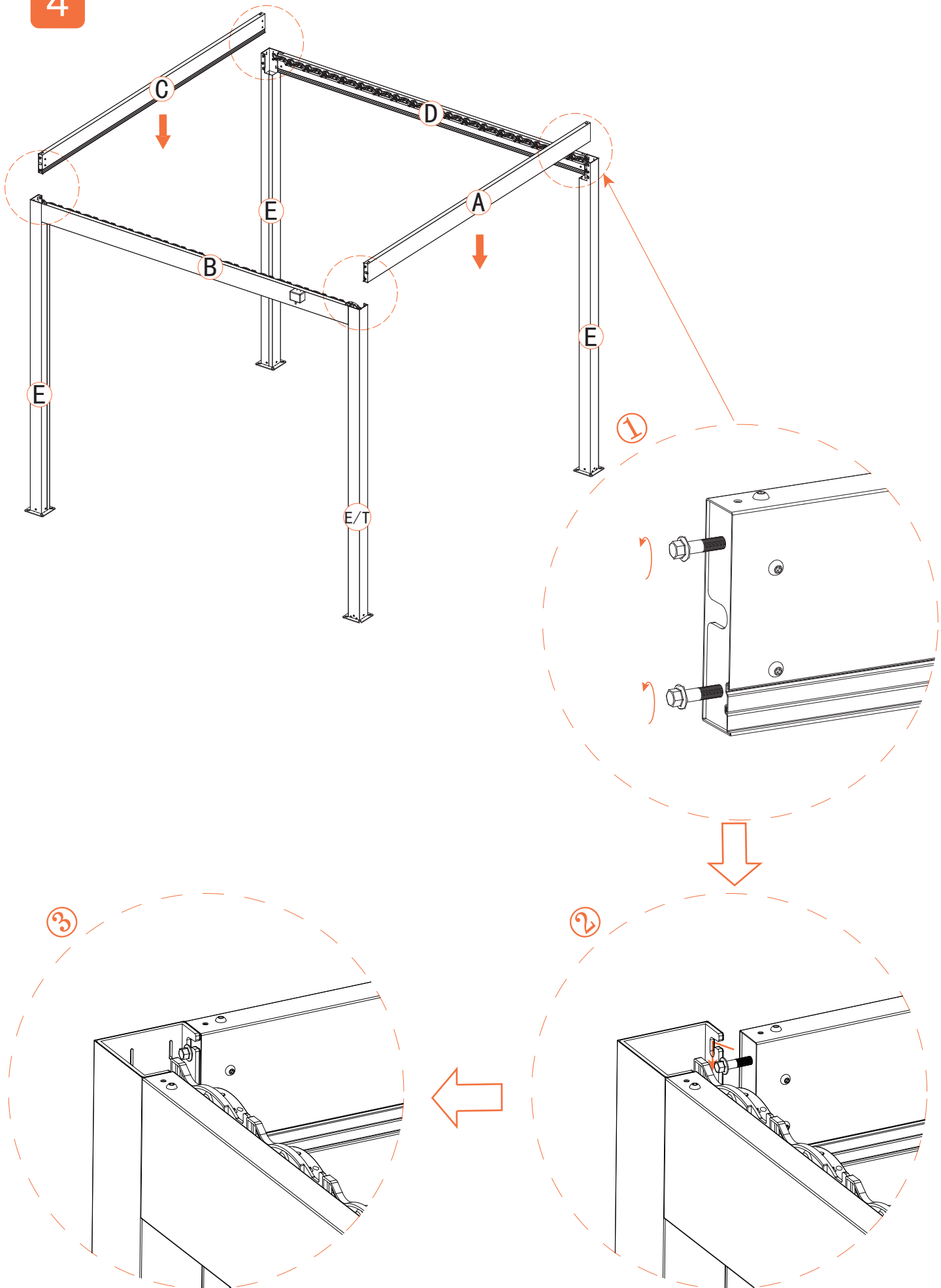
2



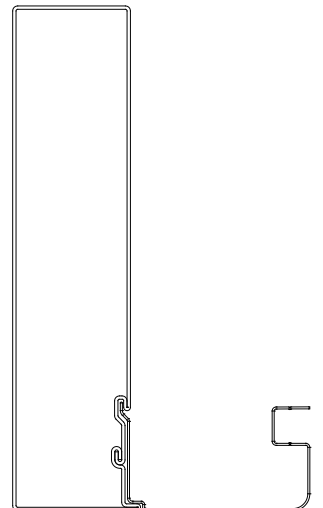
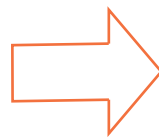
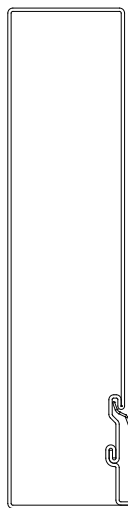
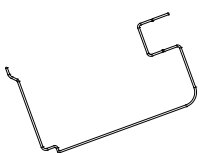
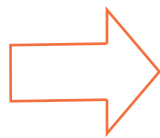
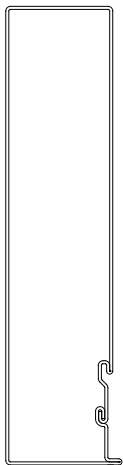
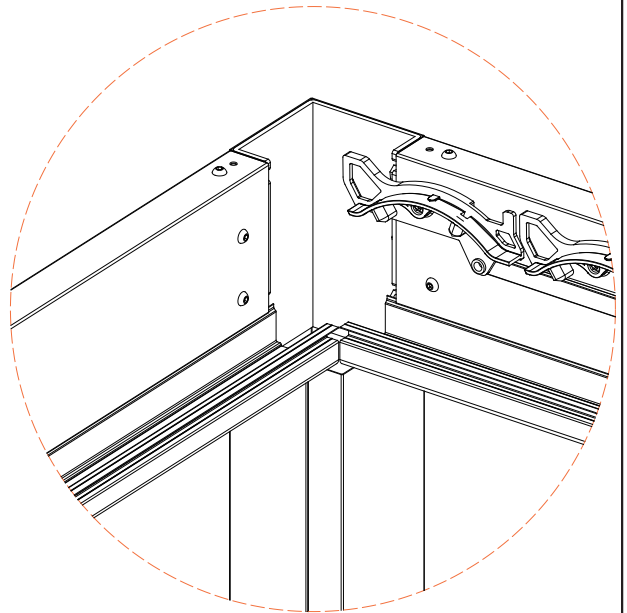
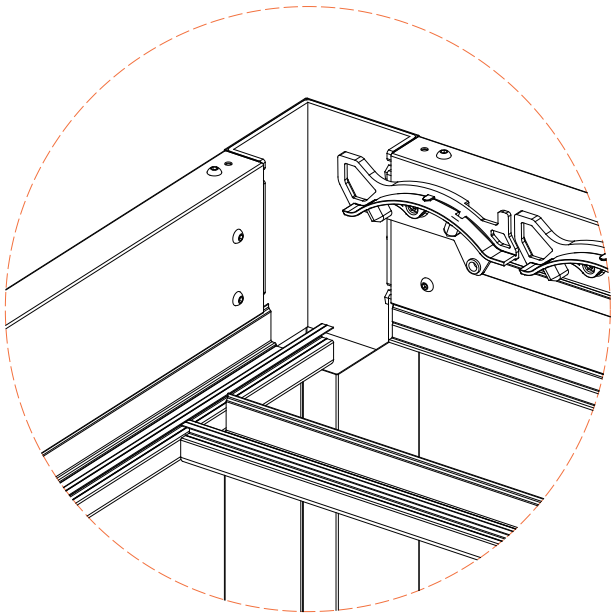
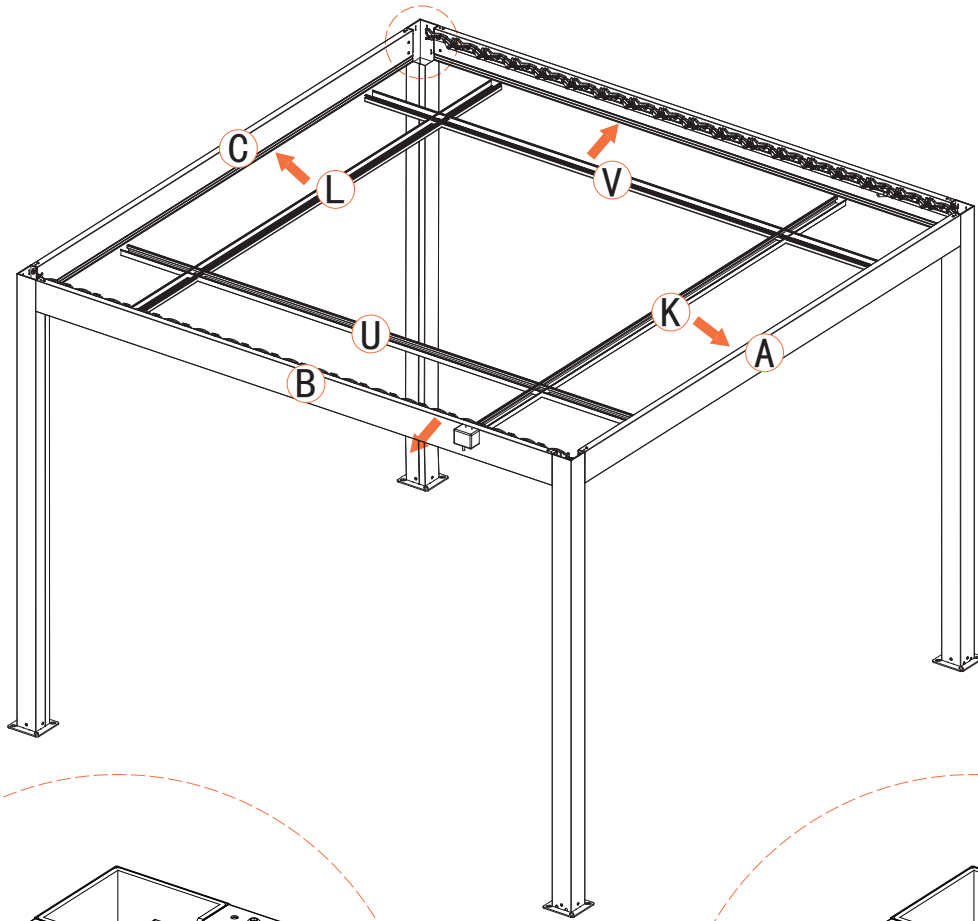
3



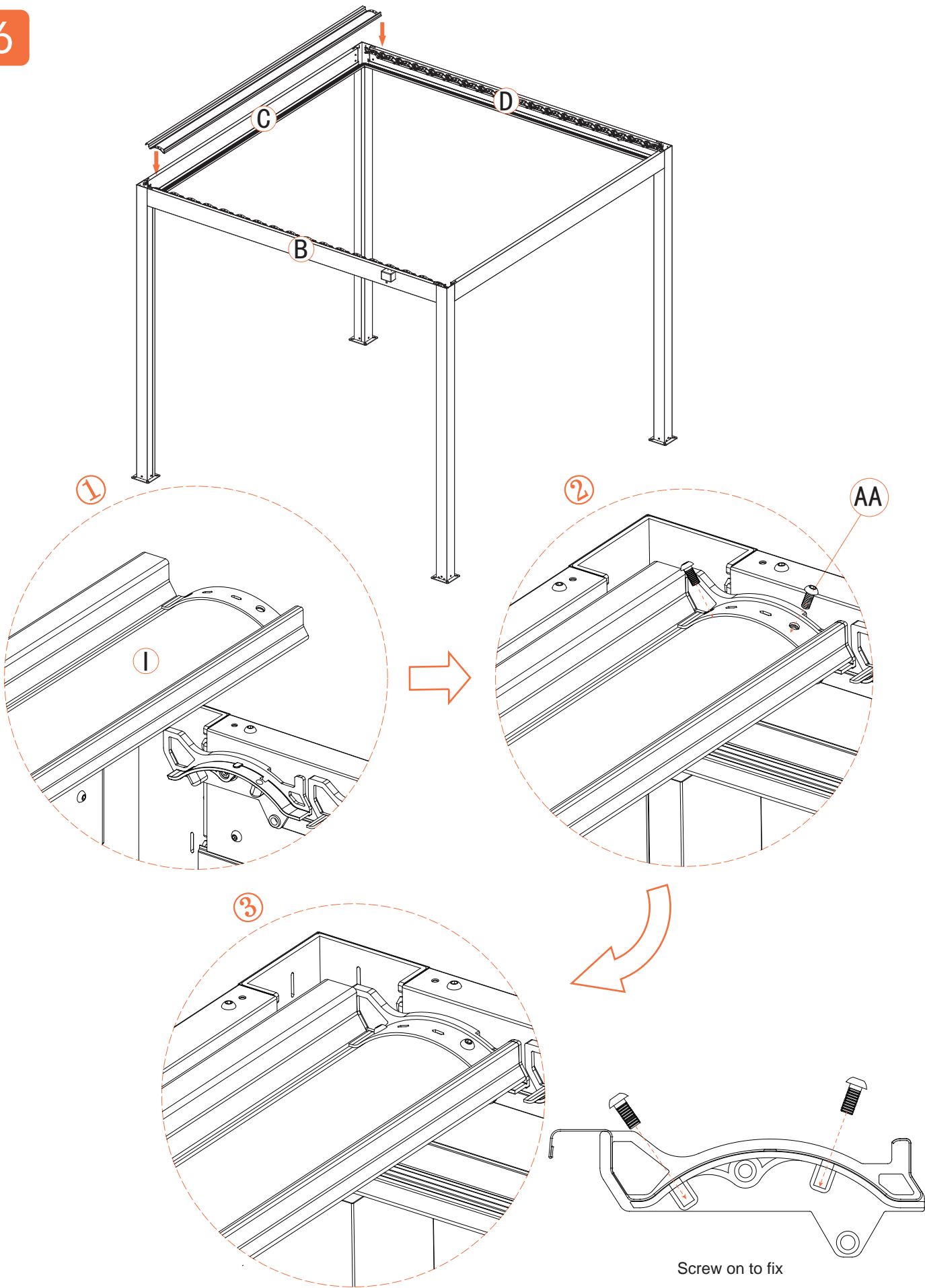
4

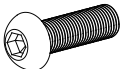


5

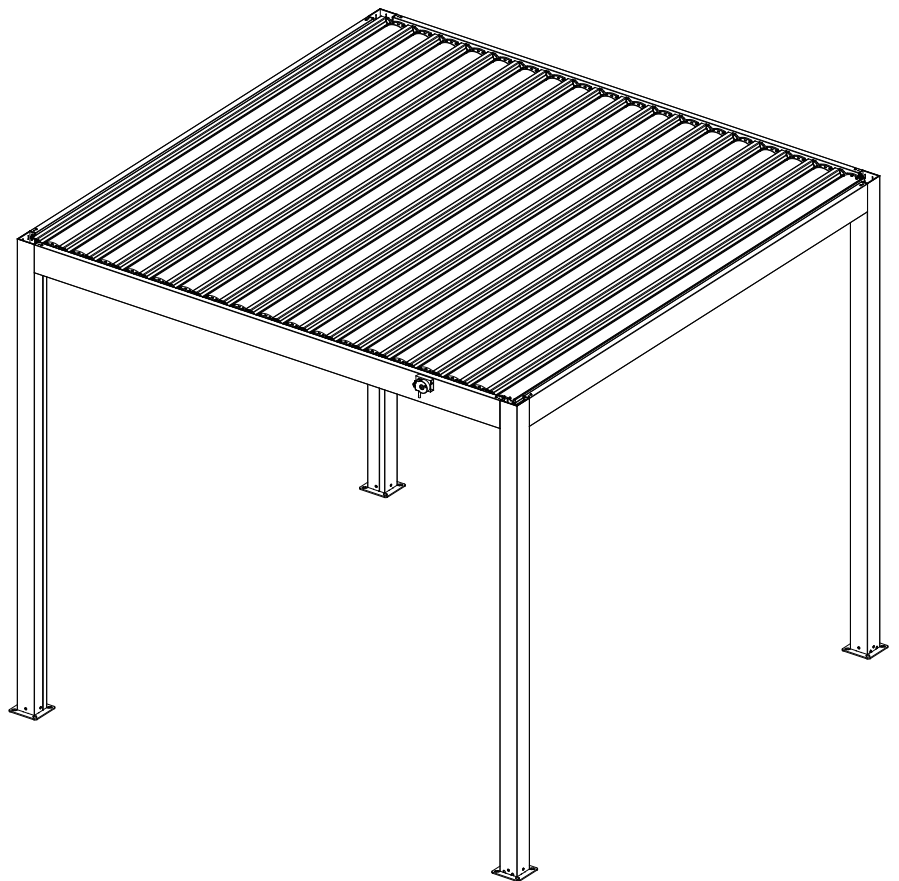
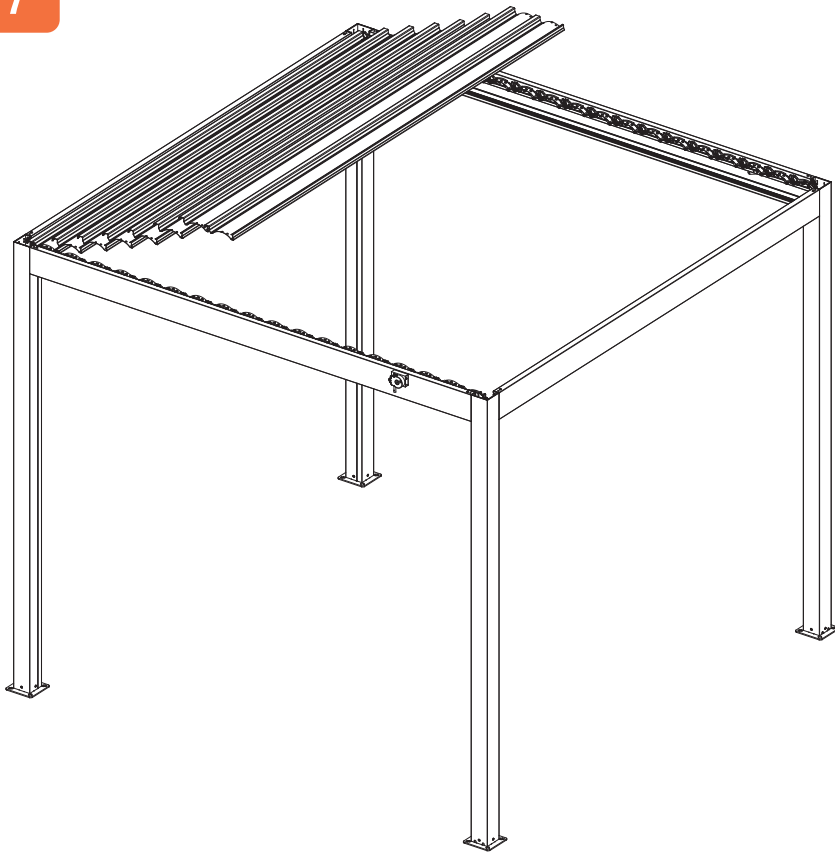


6

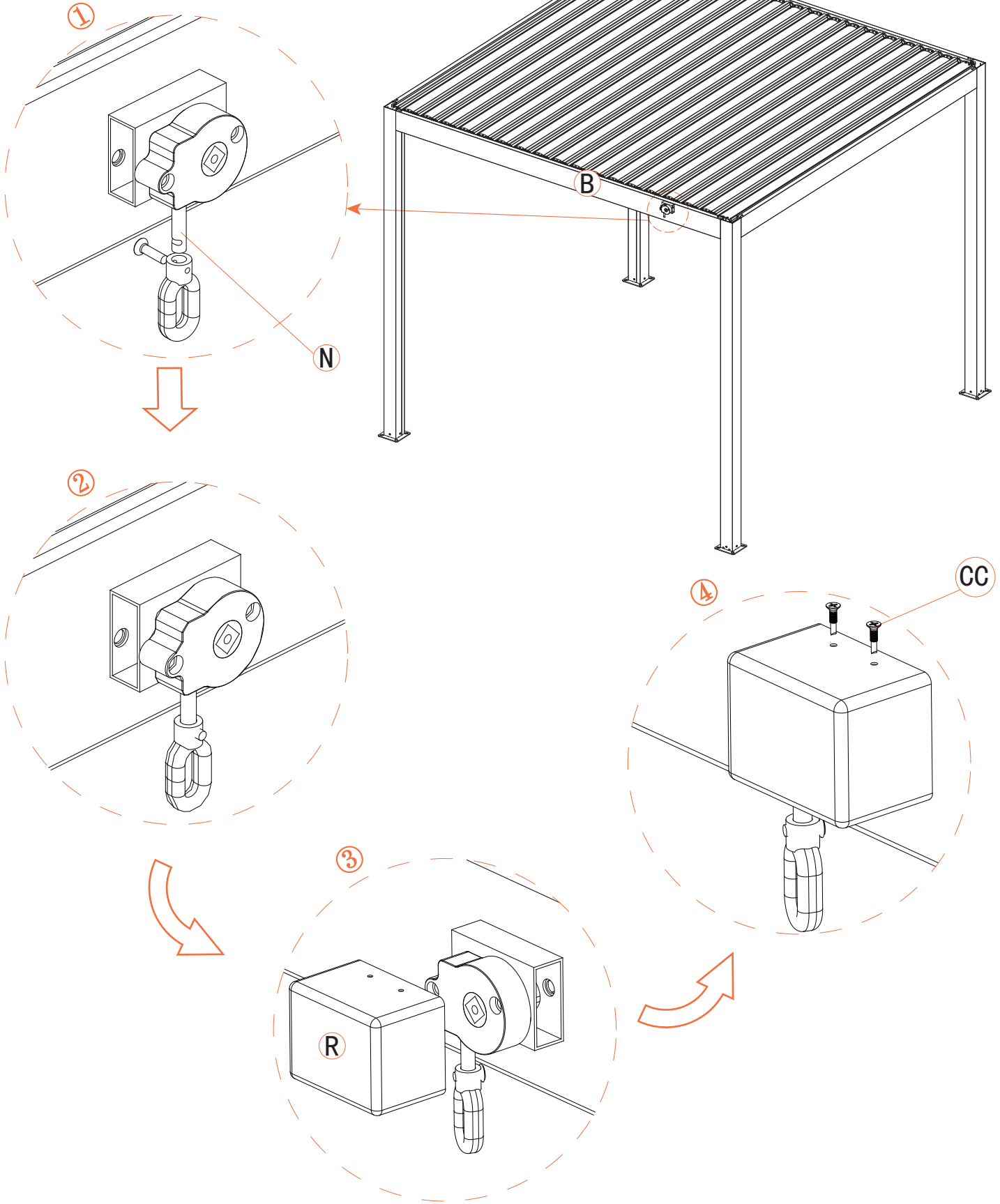



AA		M6X14	3*3M	72
			3*4M	100

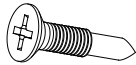
7



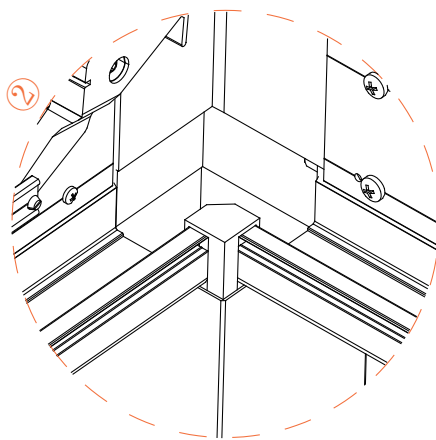
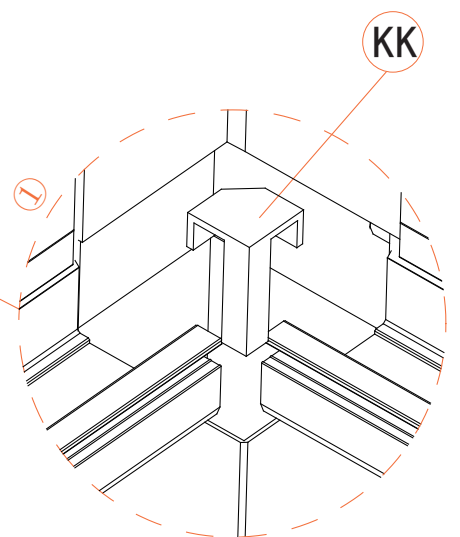
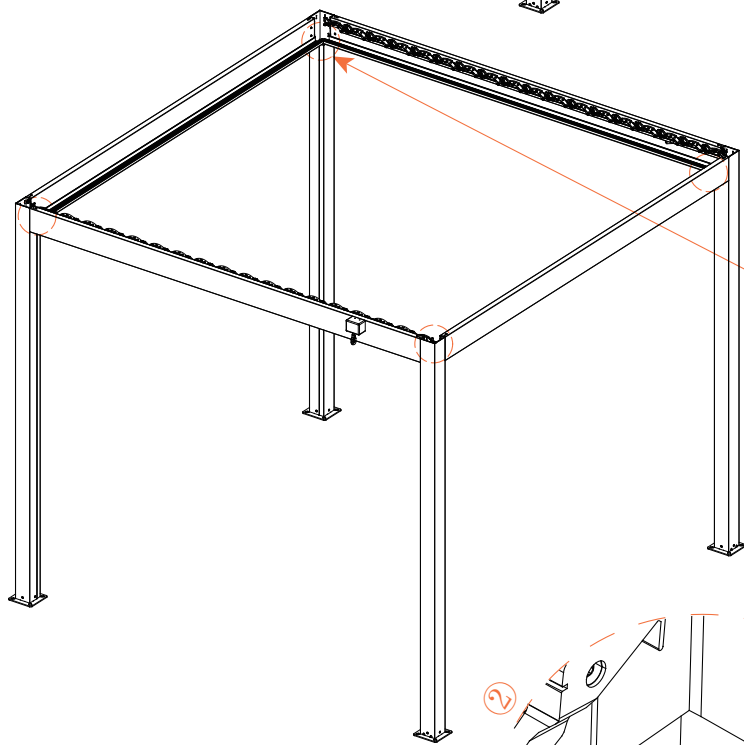
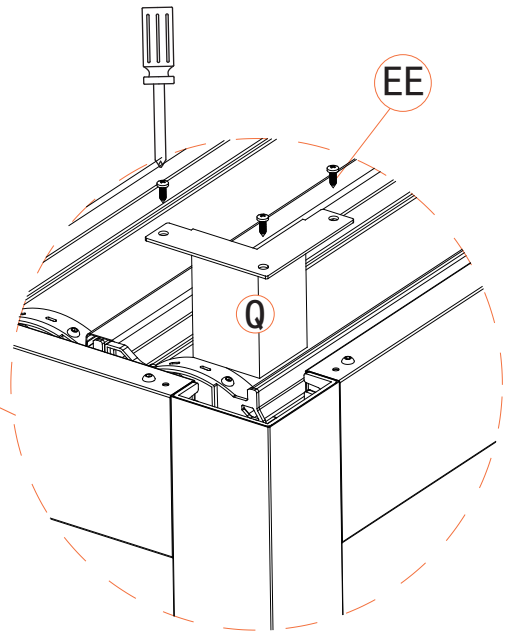
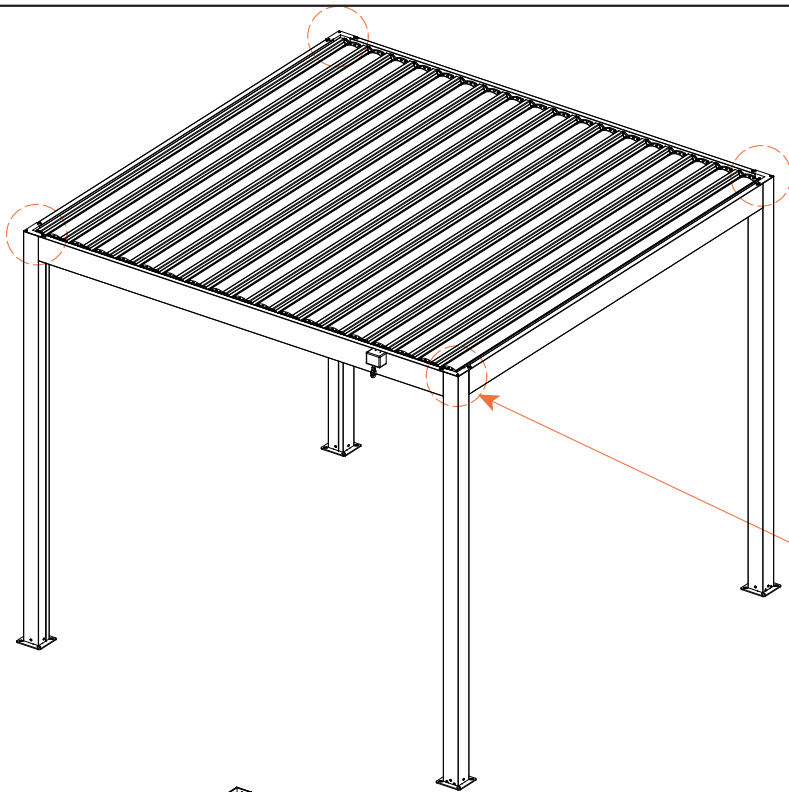
8

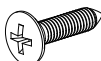


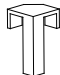
N		M4×20	1
---	---	-------	---

CC		ST3. 9*16	2
----	---	-----------	---

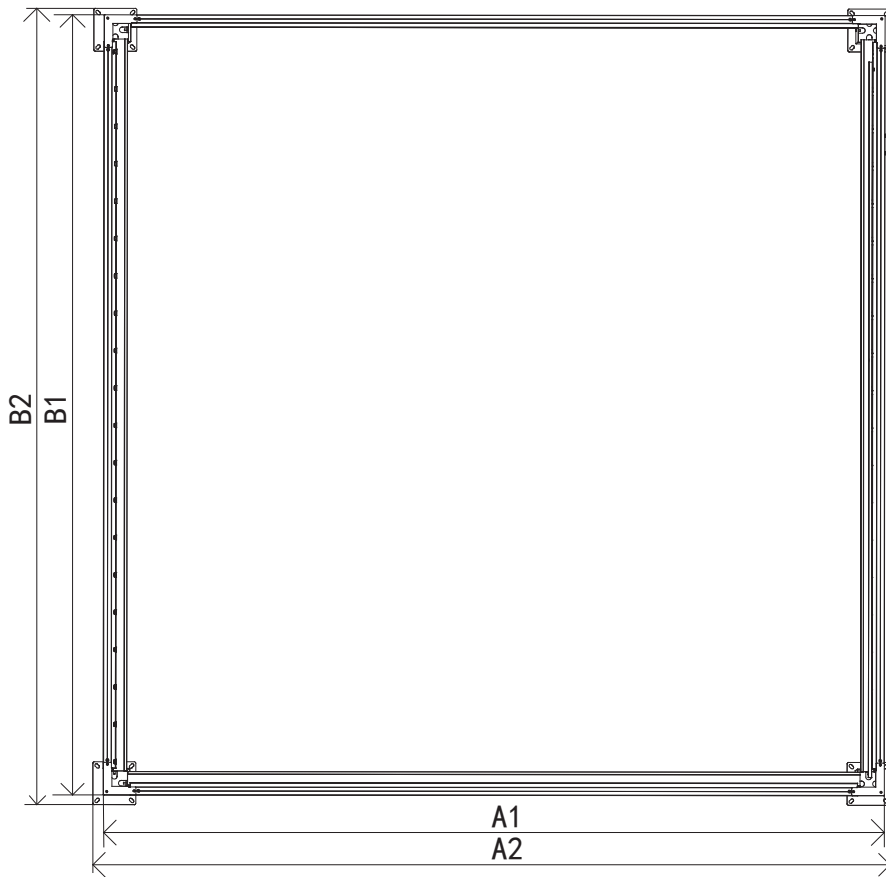
9



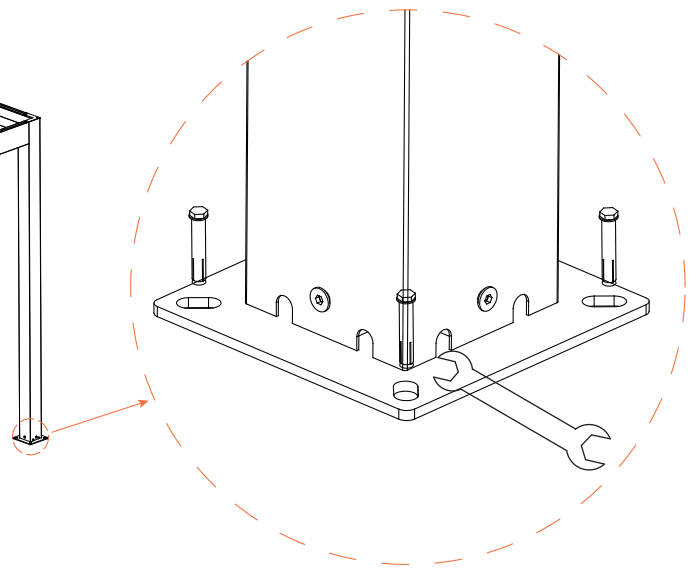
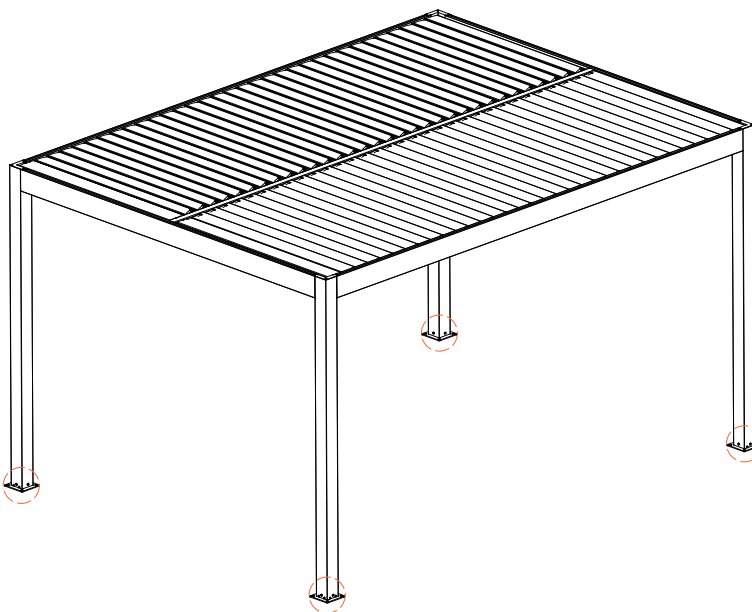
EE		12
----	---	----

KK		4
----	---	---

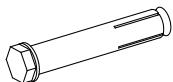
14



Pergola	A1	A2	B1	B2
3*3M	2912mm	2972mm	2912mm	2972mm
3*4M	2912mm	2972mm	4000mm	4060mm



DD



M10X100

16